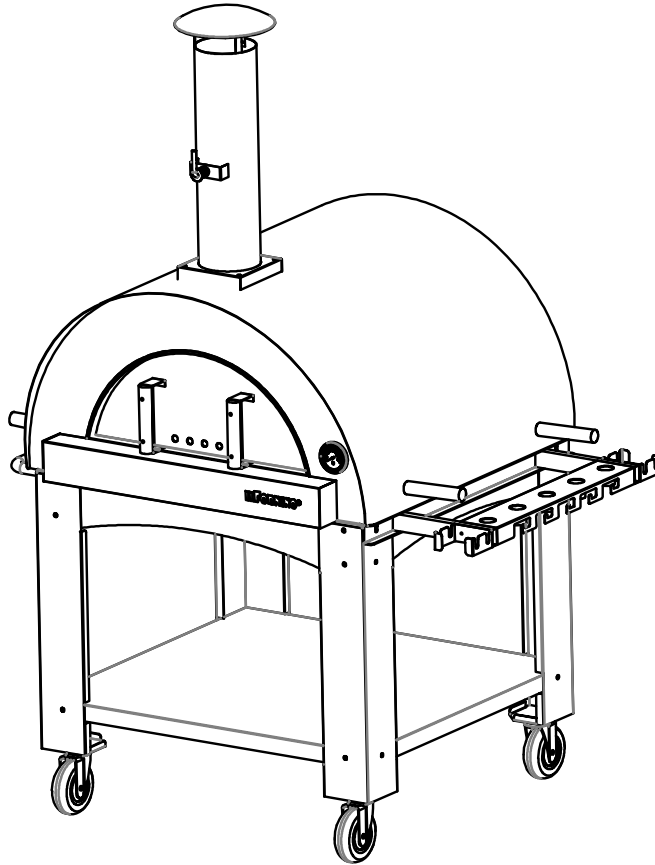


ROMA - GRANDE IF-900



784 in² COOKING AREA

SIGNATURE FEATURES

- FLAT COOKING SURFACE™
- GRADE 304 STAINLESS STEEL 0.075" / 14 GAUGE AND 430 POWDER COATED TOP
- 1.5" REFRACTORY STONE W/ INTERLOCK SEAM
- HEATING TIME 30 MINUTES
- WALL MOUNTED THERMOMETER
- FUEL TYPE - WOOD FIRED
- PASSIVE DIRECTIONAL VENTING CHIMNEY WITH DAMPER
- GREAT FOR BAKING BREADS AND SLOW ROASTING MEATS
- 784 SQ. INCHES COOKING AREA
- 6" THICK CERAMIC FIBER BLANKET INSULATION
- 8 - 10 HOURS THERMAL MASS
- 4 - 10" PIZZA CAPACITY
- PRE-ASSEMBLED CART / STAND
- 1 YEAR WARRANTY
- TOOL RACK AND TOWEL HOLDER BUILT-IN



WWW.ILFORNINO.COM



(877) 302-6660



711 EXECUTIVE BLVD. SUITE U VALLEY COTTAGE, NY 10989

ROMA - GRANDE IF-900



OVEN COUNTER-TOP INSTALLATION

COUNTER SPACE WIDTH MIN.	36.25"
COUNTER SPACE DEPTH MIN.	36"
OVEN HEIGHT FROM COUNTER TO TOP OF CHIMNEY	43.5"
COUNTER SHOULD SUPPORT OVEN WEIGHT	250+ LBS.

*** CERAMIC FIBER INSULATION BOARD $\frac{1}{4}$ " - $\frac{1}{2}$ " CAN BE CUT TO FIT THE BASE OF THE OVEN TO PROTECT YOUR COUNTER-TOP.

CLEARANCES COMBUSTIBLE / NON-COMBUSTIBLE CONSTRUCTION

COMBUSTIBLES SIDES OF OVEN	2"
COMBUSTIBLES BACK OF OVEN	2"
COMBUSTIBLES FRONT OF OVEN OPENING	36"
COMBUSTIBLES CHIMNEY CAP TO ROOF *****	24"- 36"
NON-COMBUSTIBLES SIDES OF OVEN	0"
NON-COMBUSTIBLES BACK OF OVEN	0"
NON-COMBUSTIBLES FRONT OF OVEN OPENING	36"
NON-COMBUSTIBLES CHIMNEY CAP TO ROOF *****	16"- 24"

***** CHECK WITH YOUR LOCAL BUILDING DEPARTMENT

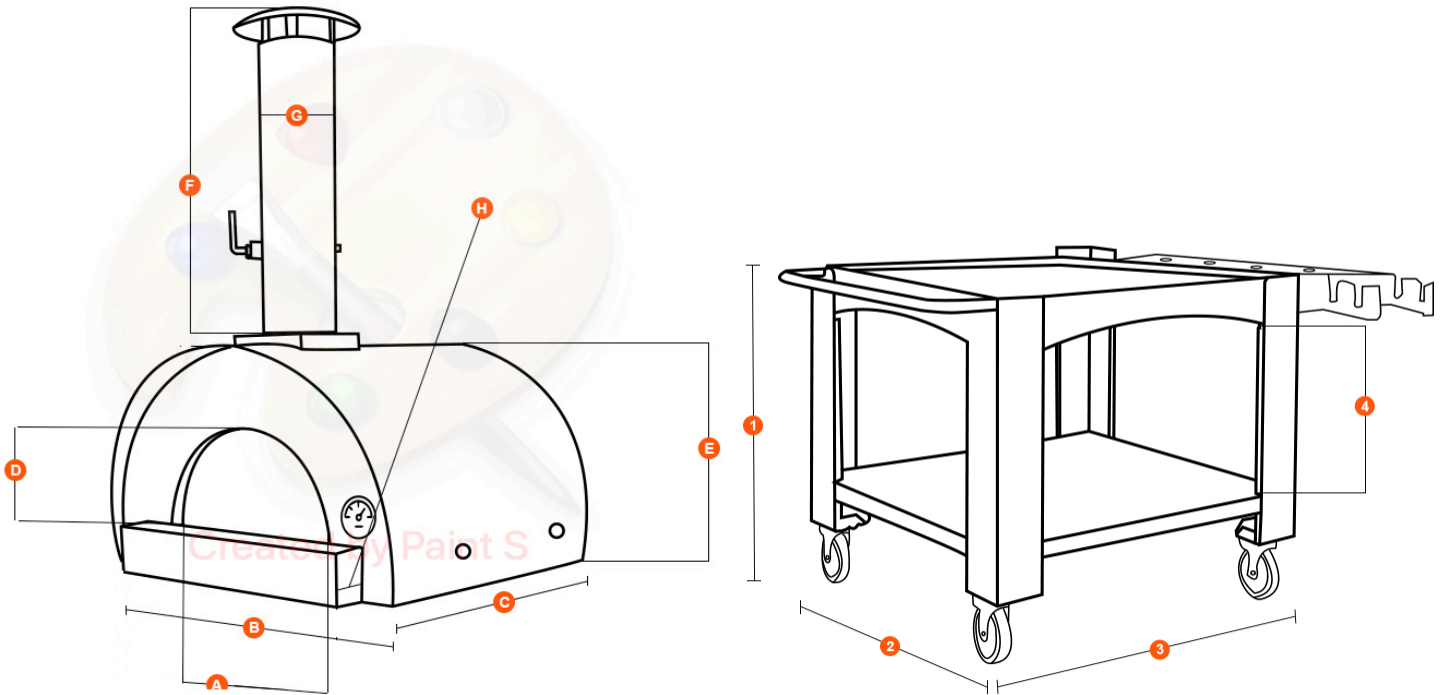
***** MAKE SURE THERE IS ADEQUATE VENTILATION IN THAT AREA, OTHERWISE USE A DOUBLE WALLED CHIMNEY EXTENSION TO GO THROUGH THE ROOF OR RE-ROUTE THE CHIMNEY TO CLEAR COMBUSTIBLES AND AVOID CARBON MONOXIDE POISONING.

OPTIONAL ACCESSORIES

COVER FOR OVEN TOP	ITEM # IF-900H
FULL COVER OVEN AND CART	ITEM # IF-900F
REPLACEMENT THERMOMETER	ITEM # IF-TMO
DOUBLE WALL CHIMNEY BASE 5" - SOME MODIFICATION REQUIRED	ITEM # RB-SHT5CB
DOUBLE WALL CHIMNEY EXTENSION ADAPTER STRAIGHT PIPE 30"	ITEM # RB-SHT5SS30
DOUBLE WALLED CHIMNEY RAIN CAP WITH SPARK ARRESTOR	ITEM # RB-SHT5RC01
FIRE GUARD - LOG GUARD	ITEM # IFC330



ROMA - GRANDE IF-900



OVEN AND STAND DIMENSIONS

A. DOOR WIDTH	22.25"
B. OVEN OUTSIDE WIDTH	36.25"
C. OVEN OUTSIDE LENGTH	36"
D. DOOR HEIGHT	9"
E. OVEN OUTSIDE HEIGHT	19.5"
F. CHIMNEY HEIGHT	24"
G. CHIMNEY DIAMETER	5.5"
H. OVERHANG LIP	2.75"

■ INSIDE DIMENSIONS: W X L X H

■ 28" X 28" X 12"

1. STAND / CART HEIGHT	32"
2. STAND / CART LENGTH	33"
3. STAND / CART WIDTH	35"
4. SHELF HEIGHT	16.5"

