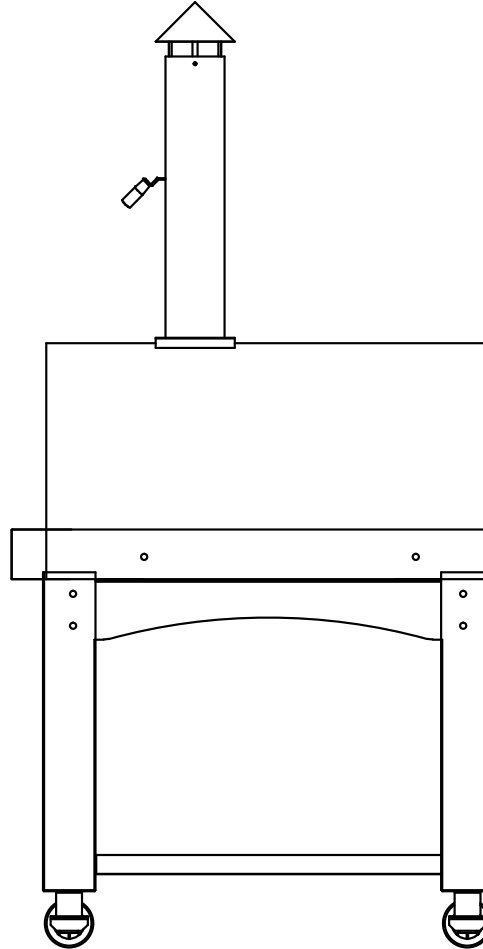
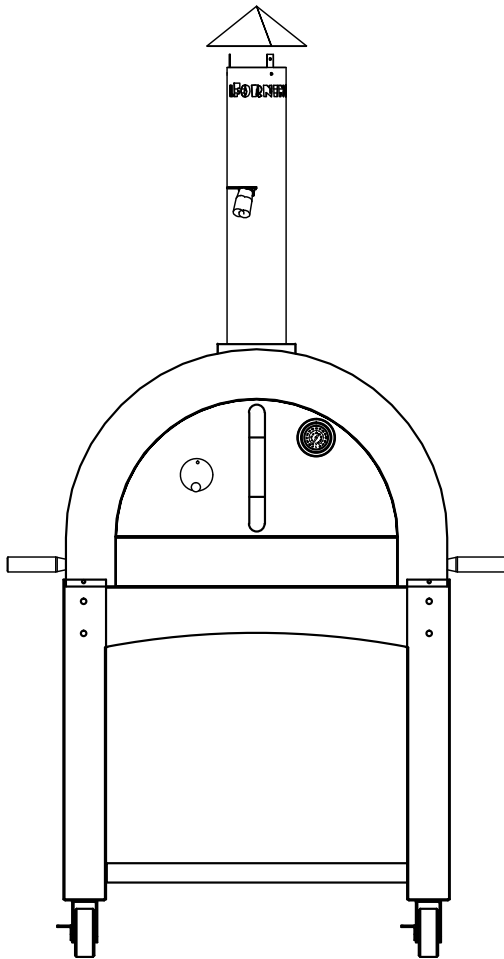


PROFESSIONAL IF-600



1007 in² COOKING AREA

SIGNATURE FEATURES

- ONE FLAT COOKING SURFACE™
- GRADE 430 STAINLESS STEEL 0.060" / 16 GAUGE
- 1.5" REFRACTORY STONE
- HEATING TIME 25 MINUTES
- DOOR MOUNTED THERMOMETER
- FUEL TYPE - WOOD FIRED
- ASH CLEAN OUT DRAWER IN THE BACK
- 1007 SQ. INCHES COOKING AREA
- 4" THICK CERAMIC FIBER BLANKET INSULATION
- 4 - 6 HOURS THERMAL MASS
- 5 - 10" PIZZA CAPACITY
- PRE-ASSEMBLED CART / STAND
- 1 YEAR WARRANTY



WWW.ILFORNINO.COM



(877) 302-6660



711 EXECUTIVE BLVD. SUITE U VALLEY COTTAGE, NY 10989

PROFESSIONAL IF-600



OVEN COUNTER-TOP INSTALLATION

COUNTER SPACE WIDTH MIN.	30.5"
COUNTER SPACE DEPTH MIN.	46"
OVEN HEIGHT FROM COUNTER TO TOP OF CHIMNEY	51"
COUNTER SHOULD SUPPORT OVEN WEIGHT	200+ LBS.

*** CERAMIC FIBER INSULATION BOARD $\frac{1}{4}$ " - $\frac{1}{2}$ " CAN BE CUT TO FIT THE BASE OF THE OVEN TO PROTECT YOUR COUNTER-TOP.

CLEARANCES COMBUSTIBLE / NON-COMBUSTIBLE CONSTRUCTION

CONBUSTIBLES SIDES OF OVEN	2"
CONBUSTIBLES BACK OF OVEN	12"
CONBUSTIBLES FRONT OF OVEN OPENING	36"
CONBUSTIBLES CHIMNEY CAP TO ROOF *****	24"- 36"
NON-COMBUSTIBLES SIDES OF OVEN	0"
NON-COMBUSTIBLES BACK OF OVEN	12"
NON-COMBUSTIBLES FRONT OF OVEN OPENING	36"
NON-COMBUSTIBLES CHIMNEY CAP TO ROOF *****	16"- 24"

***** CHECK WITH YOUR LOCAL BUILDING DEPARTMENT

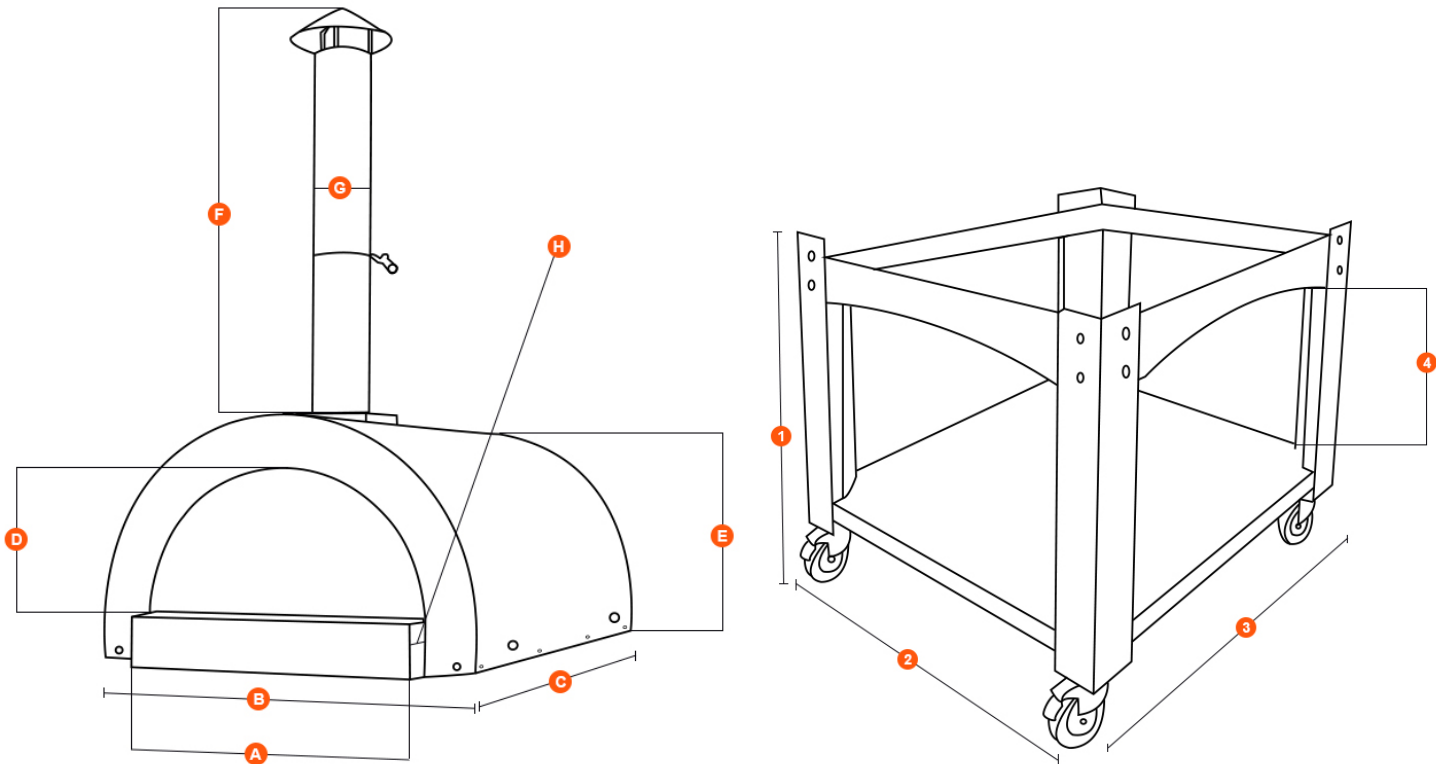
***** MAKE SURE THERE IS ADEQUATE VENTILATION IN THAT AREA, OTHERWISE USE A DOUBLE WALLED CHIMNEY EXTENSION TO GO THROUGH THE ROOF OR RE-ROUTE THE CHIMNEY TO CLEAR COMBUSTIBLES AND AVOID CARBON MONOXIDE POISONING.

OPTIONAL ACCESSORIES

COVER FOR OVEN TOP	ITEM # IF-600H
FULL COVER OVEN AND CART	ITEM # IF-600F
REPLACEMENT THERMOMETER	ITEM # IF-TMO
SIDE BBQ ADAPTER - BOLTS ON THE SIDE OF THE OVEN	ITEM # IF-1100BBQ
DOUBLE WALL CHIMNEY STARTER EXTENSION 18"	ITEM # RB-SHT4SS18
DOUBLE WALL CHIMNEY EXTENSION ADAPTER STRAIGHT PIPE 36"	ITEM # RB-SHT4SS36
DOUBLE WALLED CHIMNEY 15° ADAPTER	ITEM # RB-SHT4EL15
DOUBLE WALLED CHIMNEY 30° ADAPTER	ITEM # RB-SHT4EL30
DOUBLE WALLED CHIMNEY RAIN CAP WITH SPARK ARRESTOR	ITEM # RB-SHT4RC01



PROFESSIONAL IF-600



OVEN AND STAND DIMENSIONS

A. DOOR WIDTH	21.75"
B. OVEN OUTSIDE WIDTH	30.5"
C. OVEN OUTSIDE LENGTH	46"
D. DOOR HEIGHT	8.75"
E. OVEN OUTSIDE HEIGHT	19"
F. CHIMNEY HEIGHT	32"
G. CHIMNEY DIAMETER	4.5"
H. OVERHANG LIP	2.75"
INSIDE DIMENSIONS: W X L X H	26.5" X 38" X 13"
1. STAND / CART HEIGHT	30"
2. STAND / CART WIDTH	30.75"
3. STAND / CART LENGTH	43.75"
4. SHELF HEIGHT	17"

