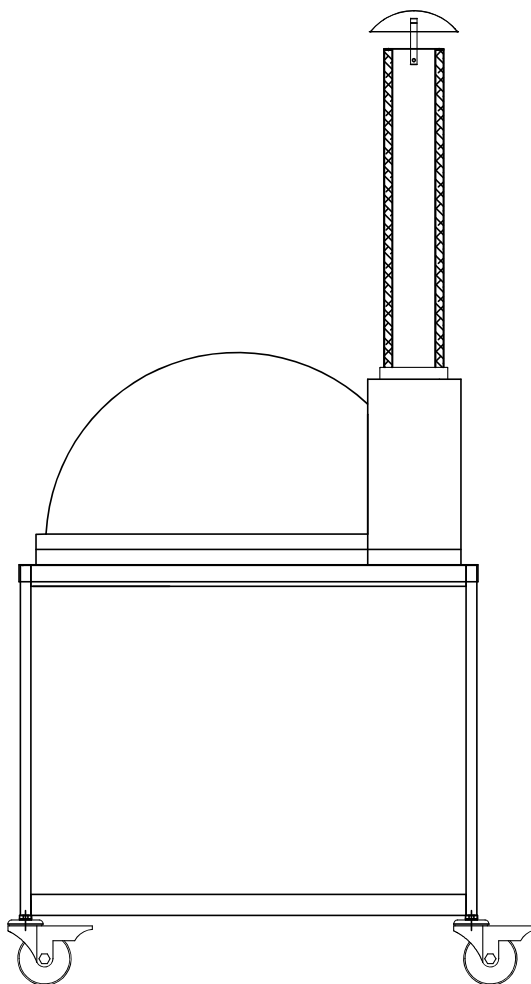
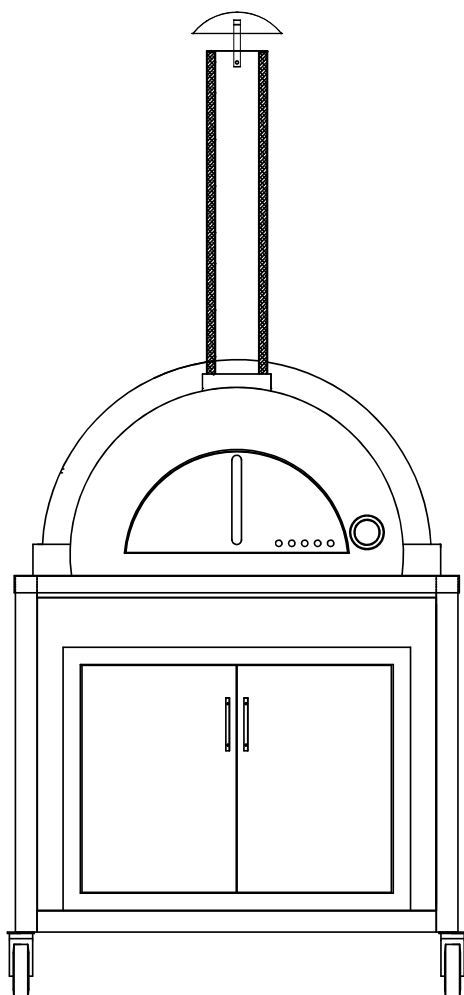


ELITE SERIES IF-5000



882 in² COOKING AREA

TRADITIONAL POMPEII
DOME
NEAPOLITAN OVEN

SIGNATURE FEATURES

- ONE FLAT COOKING SURFACE™
- GRADE 304 STAINLESS STEEL 0.075" / 14 GAUGE AND 304 POWDER COATED DOME
- 2" REFRACTORY STONE
- HEATING TIME 30 MINUTES
- WALL MOUNTED THERMOMETER
- FUEL TYPE - WOOD FIRED
- PASSIVE DIRECTIONAL VENTING CHIMNEY
- DOUBLE WALL CHIMNEY UL 103 APPROVED
- 882 SQ. INCHES COOKING AREA
- 6" THICK CERAMIC FIBER BLANKET INSULATION
- 8 - 10 HOURS THERMAL MASS
- 3 - 12" PIZZA CAPACITY
- PRE-ASSEMBLED CART / STAND
- 1 YEAR WARRANTY
- TRADITIONAL POMPEII DOME NEAPOLITAN OVEN



WWW.ILFORNINO.COM



(877) 302-6660



711 EXECUTIVE BLVD. SUITE U VALLEY COTTAGE, NY 10989

ELITE SERIES IF-5000



OVEN COUNTER-TOP INSTALLATION

COUNTER SPACE WIDTH MIN.	37.5"
COUNTER SPACE DEPTH MIN.	39"
OVEN HEIGHT FROM COUNTER TO TOP OF CHIMNEY	58"
COUNTER SHOULD SUPPORT OVEN WEIGHT	400+ LBS.

*** CERAMIC FIBER INSULATION BOARD 1/4" - 1/2" CAN BE CUT TO FIT THE BASE OF THE OVEN TO PROTECT YOUR COUNTER-TOP.

CLEARANCES COMBUSTIBLE / NON-COMBUSTIBLE CONSTRUCTION

COMBUSTIBLES SIDES OF OVEN	2"
COMBUSTIBLES BACK OF OVEN	2"
COMBUSTIBLES FRONT OF OVEN OPENING	36"
COMBUSTIBLES CHIMNEY CAP TO ROOF *****	24"- 36"
NON-COMBUSTIBLES SIDES OF OVEN	0"
NON-COMBUSTIBLES BACK OF OVEN	0"
NON-COMBUSTIBLES FRONT OF OVEN OPENING	36"
NON-COMBUSTIBLES CHIMNEY CAP TO ROOF *****	16"- 24"

***** CHECK WITH YOUR LOCAL BUILDING DEPARTMENT

***** MAKE SURE THERE IS ADEQUATE VENTILATION IN THAT AREA, OTHERWISE USE A DOUBLE WALLED CHIMNEY EXTENSION TO GO THROUGH THE ROOF OR RE-ROUTE THE CHIMNEY TO CLEAR COMBUSTIBLES AND AVOID CARBON MONOXIDE POISONING.

OPTIONAL ACCESSORIES

COVER FOR OVEN TOP	ITEM # IF-5000H
FULL COVER OVEN AND CART	ITEM # IF-5000F
REPLACEMENT THERMOMETER	ITEM # IF-TMO
DOUBLE WALL CHIMNEY BASE 5"	ITEM # RB-SHT5CB
DOUBLE WALL CHIMNEY EXTENSION ADAPTER STRAIGHT PIPE 30"	ITEM # RB-SHT5SS30
DOUBLE WALLED CHIMNEY RAIN CAP WITH SPARK ARRESTOR	ITEM # RB-SHT5RC01
FIRE GUARD - LOG GUARD	ITEM # IFC330



WWW.ILFORNINO.COM

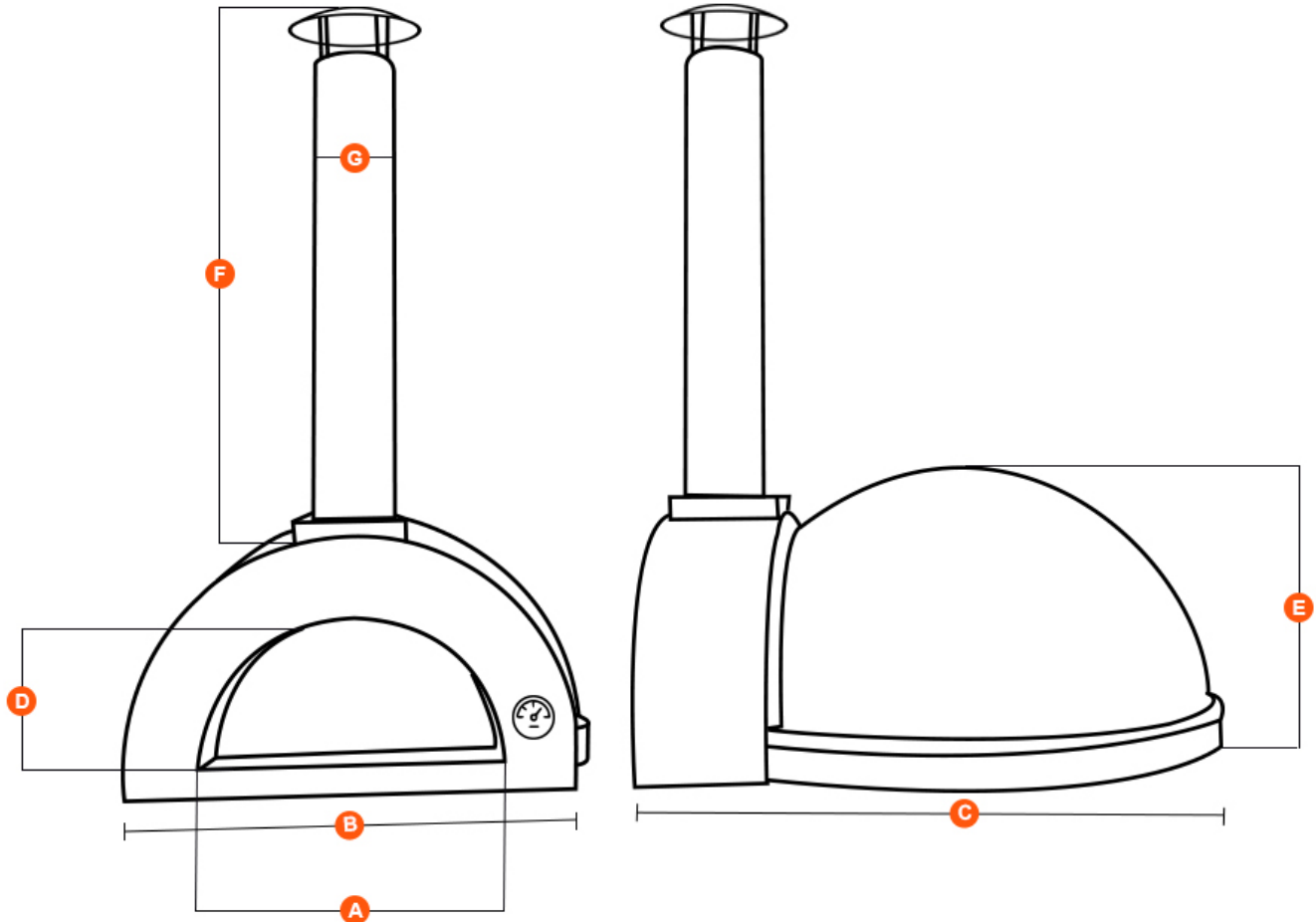


(877) 302-6660



711 EXECUTIVE BLVD. SUITE U VALLEY COTTAGE, NY 10989

ELITE SERIES IF-5000

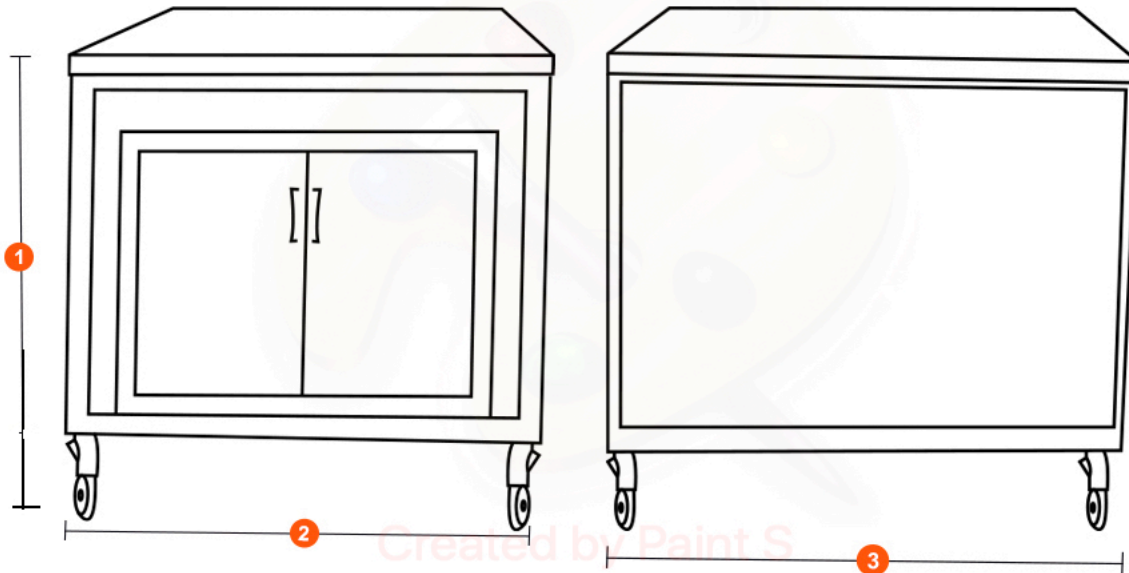


OVEN DIMENSIONS

A. DOOR WIDTH	18.75"
B. OVEN OUTSIDE WIDTH	37.5"
C. OVEN OUTSIDE LENGTH	39"
D. DOOR HEIGHT	9.25"
E. OVEN OUTSIDE HEIGHT	20"
F. CHIMNEY HEIGHT	40"
G. CHIMNEY SIZE: INSIDE DIA. / OUTSIDE DIA.	5" / 7"
■ INSIDE DIMENSIONS: W X L X H	■ 31.5" X 28" X 16"



ELITE SERIES IF-5000



CABINET / CART DIMENSIONS

1. CABINET / CART HEIGHT	38.5"
2. CABINET / CART WIDTH	40.5"
3. CABINET / CART DEPTH	42.5"

