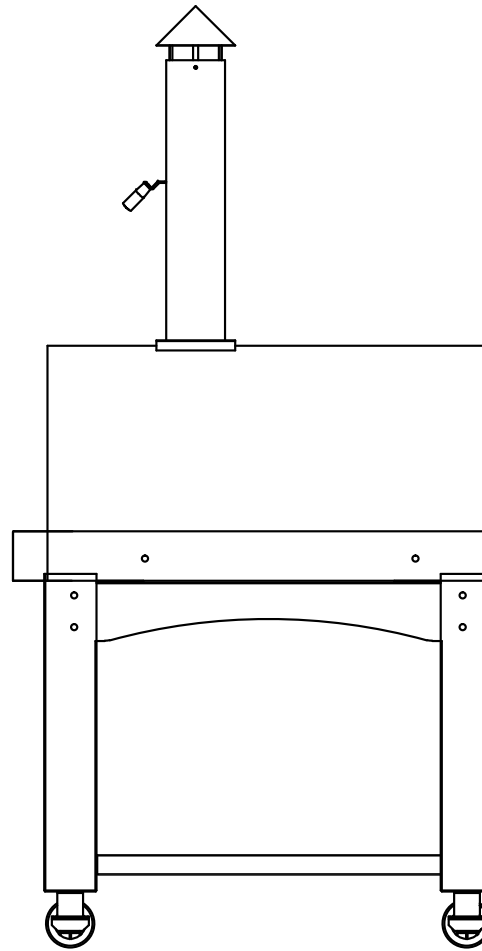
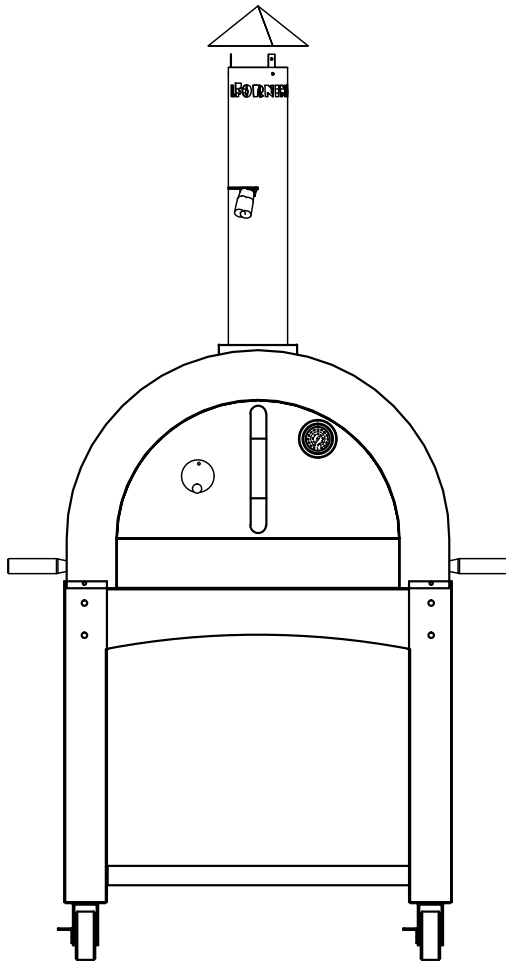


# MINI PROFESSIONAL IF-301



795 in<sup>2</sup> COOKING AREA



CAN BE USED AS AN  
INSERT INSTALLATION  
IN MASONRY

## SIGNATURE FEATURES

- ONE FLAT COOKING SURFACE™
- GRADE 430 STAINLESS STEEL 0.060" / 16 GAUGE
- 1.5" REFRACTORY STONE
- HEATING TIME 25 MINUTES
- DOOR MOUNTED THERMOMETER
- FUEL TYPE - WOOD FIRED
- 795 SQ. INCHES COOKING AREA
- 4" THICK CERAMIC FIBER BLANKET INSULATION
- 4 - 6 HOURS THERMAL MASS
- 4 - 10" PIZZA CAPACITY
- PRE-ASSEMBLED CART / STAND
- 1 YEAR WARRANTY



WWW.ILFORNINO.COM



(877) 302-6660



711 EXECUTIVE BLVD. SUITE U VALLEY COTTAGE, NY 10989

# MINI PROFESSIONAL IF-301



## OVEN COUNTER-TOP INSTALLATION

COUNTER SPACE WIDTH MIN.	30.5"
COUNTER SPACE DEPTH MIN.	38.25"
OVEN HEIGHT FROM COUNTER TO TOP OF CHIMNEY	51"
COUNTER SHOULD SUPPORT OVEN WEIGHT	200+ LBS.

\*\*\* CERAMIC FIBER INSULATION BOARD  $\frac{1}{4}$ " -  $\frac{1}{2}$ " CAN BE CUT TO FIT THE BASE OF THE OVEN TO PROTECT YOUR COUNTER-TOP.

## CLEARANCES COMBUSTIBLE / NON-COMBUSTIBLE CONSTRUCTION

CONBUSTIBLES SIDES OF OVEN	2"
CONBUSTIBLES BACK OF OVEN	2"
CONBUSTIBLES FRONT OF OVEN OPENING	36"
CONBUSTIBLES CHIMNEY CAP TO ROOF *****	24"- 36"
NON-CONBUSTIBLES SIDES OF OVEN	0"
NON-CONBUSTIBLES BACK OF OVEN	0"
NON-CONBUSTIBLES FRONT OF OVEN OPENING	36"
NON-CONBUSTIBLES CHIMNEY CAP TO ROOF *****	16"- 24"

\*\*\*\*\* CHECK WITH YOUR LOCAL BUILDING DEPARTMENT

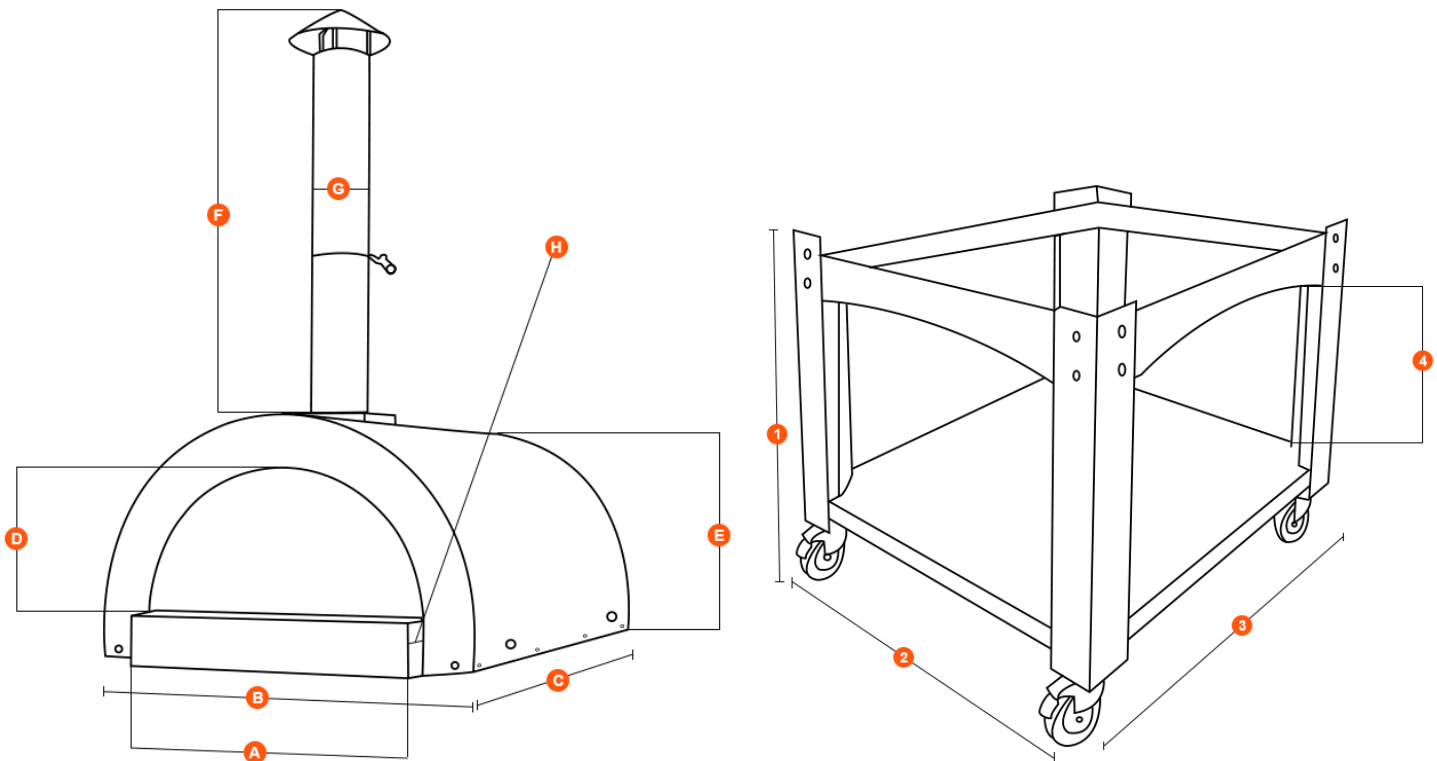
\*\*\*\*\* MAKE SURE THERE IS ADEQUATE VENTILATION IN THAT AREA, OTHERWISE USE A DOUBLE WALLED CHIMNEY EXTENSION TO GO THROUGH THE ROOF OR RE-ROUTE THE CHIMNEY TO CLEAR COMBUSTIBLES AND AVOID CARBON MONOXIDE POISONING.

## OPTIONAL ACCESSORIES

COVER FOR OVEN TOP	ITEM # IF-300H
FULL COVER OVEN AND CART	ITEM # IF-300F
REPLACEMENT THERMOMETER	ITEM # IF-TMO
UTILITY BRACKET SET FOR CART	ITEM # IFC332
DOUBLE WALL CHIMNEY STARTER EXTENSION 18"	ITEM # RB-SHT4SS18
DOUBLE WALL CHIMNEY EXTENSION ADAPTER STRAIGHT PIPE 36"	ITEM # RB-SHT4SS36
DOUBLE WALLED CHIMNEY 15° ADAPTER	ITEM # RB-SHT4EL15
DOUBLE WALLED CHIMNEY 30° ADAPTER	ITEM # RB-SHT4EL30
DOUBLE WALLED CHIMNEY RAIN CAP WITH SPARK ARRESTOR	ITEM # RB-SHT4RC01



# MINI PROFESSIONAL IF-301



## OVEN AND STAND DIMENSIONS

A. DOOR WIDTH	21.75"
B. OVEN OUTSIDE WIDTH	30.5"
C. OVEN OUTSIDE LENGTH	38.25"
D. DOOR HEIGHT	8.75"
E. OVEN OUTSIDE HEIGHT	19"
F. CHIMNEY HEIGHT	32"
G. CHIMNEY DIAMETER	4.5"
H. OVERHANG LIP	2.75"

INSIDE DIMENSIONS: W X L X H

26.5" X 30" X 13"

1. STAND / CART HEIGHT	30"
2. STAND / CART WIDTH	30.75"
3. STAND / CART LENGTH	36"
4. SHELF HEIGHT	17"

