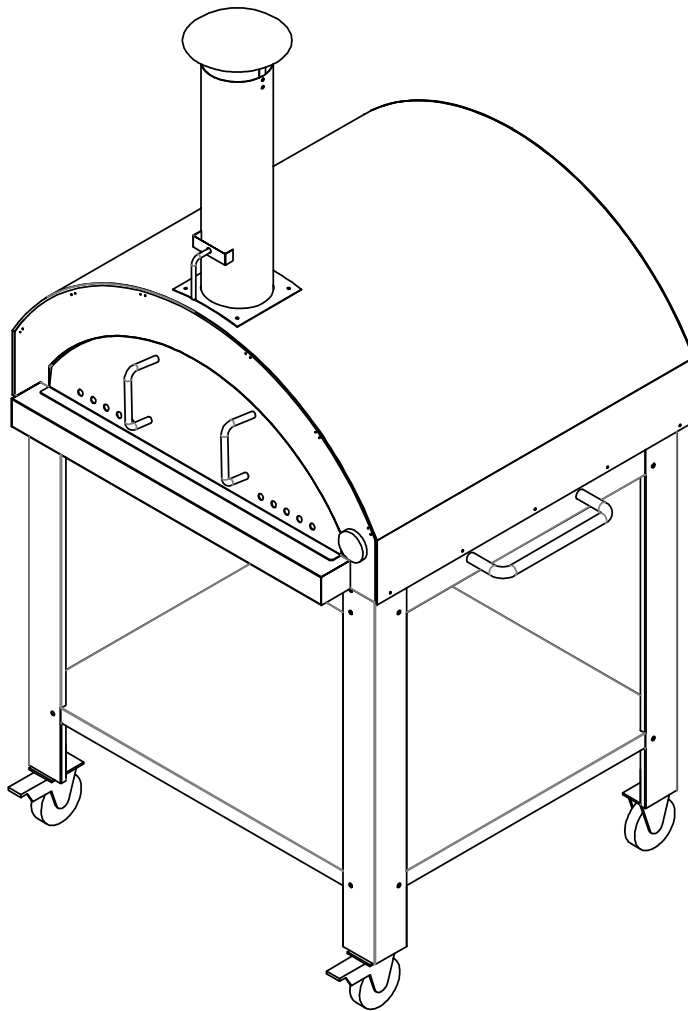


GRANDE – G-SERIES IF-1400



1036 in² COOKING AREA

LIGHT COMMERCIAL



SIGNATURE FEATURES

- ONE FLAT COOKING SURFACE™
- GRADE 304 STAINLESS STEEL 0.075" / 14 GAUGE
- 2" REFRACTORY STONE
- HEATING TIME 35 MINUTES
- WALL MOUNTED THERMOMETER
- FUEL TYPE - WOOD FIRED
- STAND / CART HEIGHT 45"
- DOUBLE WALL CHIMNEY UL 103 APPROVED
- 1260 SQ. INCHES COOKING AREA
- 6" THICK CERAMIC FIBER BLANKET INSULATION
- 8 - 10 HOURS THERMAL MASS
- 6 - 12" PIZZA CAPACITY (180 PIES / HOUR)
- PRE-ASSEMBLED CART / STAND
- 1 YEAR WARRANTY
- UL/NSF ANSI 4 CERTIFIED FOR COMMERCIAL USE
- WIDE DOOR OPENING



WWW.ILFORNINO.COM



(877) 302-6660



711 EXECUTIVE BLVD. SUITE U VALLEY COTTAGE, NY 10989

GRANDE – G-SERIES IF-1400



OVEN COUNTER-TOP INSTALLATION

COUNTER SPACE WIDTH MIN.	45"
COUNTER SPACE DEPTH MIN.	41.5"
OVEN HEIGHT FROM COUNTER TO TOP OF CHIMNEY	48.5"
COUNTER SHOULD SUPPORT OVEN WEIGHT	550+ LBS.

*** CERAMIC FIBER INSULATION BOARD ¼" – ½" CAN BE CUT TO FIT THE BASE OF THE OVEN TO PROTECT YOUR COUNTER-TOP.

CLEARANCES COMBUSTIBLE / NON-COMBUSTIBLE CONSTRUCTION

CONBUSTIBLES SIDES OF OVEN	2"
CONBUSTIBLES BACK OF OVEN	2"
CONBUSTIBLES FRONT OF OVEN OPENING	36"
CONBUSTIBLES CHIMNEY CAP TO ROOF *****	24"- 36"
NON-COMBUSTIBLES SIDES OF OVEN	0"
NON-COMBUSTIBLES BACK OF OVEN	0"
NON-COMBUSTIBLES FRONT OF OVEN OPENING	36"
NON-COMBUSTIBLES CHIMNEY CAP TO ROOF *****	16"- 24"

***** CHECK WITH YOUR LOCAL BUILDING DEPARTMENT

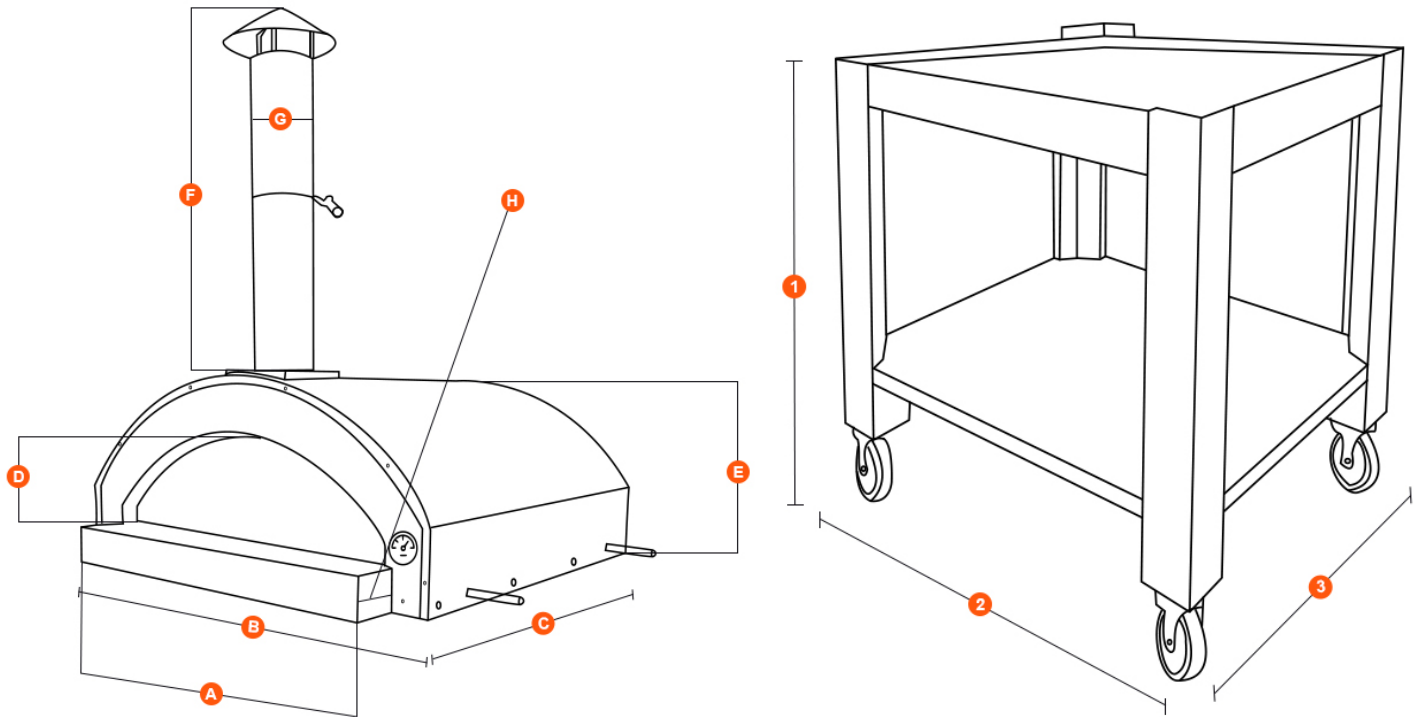
***** MAKE SURE THERE IS ADEQUATE VENTILATION IN THAT AREA, OTHERWISE USE A DOUBLE WALLED CHIMNEY EXTENSION TO GO THROUGH THE ROOF OR RE-ROUTE THE CHIMNEY TO CLEAR COMBUSTIBLES AND AVOID CARBON MONOXIDE POISONING.

OPTIONAL ACCESSORIES

COVER FOR OVEN TOP	ITEM # IF-1400H
FULL COVER OVEN AND CART	ITEM # IF-1400F
REPLACEMENT THERMOMETER	ITEM # IF-TMO
UTILITY BRACKET SET FOR CART	ITEM # IFC332
DOUBLE WALL CHIMNEY BASE 5" – SOME MODIFICATION REQUIRED	ITEM # RB-SHT5CB
DOUBLE WALL CHIMNEY EXTENSION ADAPTER STRAIGHT PIPE 30"	ITEM # RB-SHT5SS30
DOUBLE WALLED CHIMNEY RAIN CAP WITH SPARK ARRESTOR	ITEM # RB-SHT5RC01
FIRE GUARD – LOG GUARD	ITEM # IFC330-L



GRANDE – G-SERIES IF-1400



OVEN AND STAND DIMENSIONS

A. DOOR WIDTH	35.5"
B. OVEN OUTSIDE WIDTH	45"
C. OVEN OUTSIDE LENGTH W/ LIP	41.5"
D. DOOR HEIGHT	10.5"
E. OVEN OUTSIDE HEIGHT	20"
F. CHIMNEY HEIGHT	28.5"
G. CHIMNEY DIAMETER	6"
H. OVERHANG LIP	2.75"

■ INSIDE DIMENSIONS: W X L X H

■ 35.5" X 35.5" X 11.25"

1. STAND / CART HEIGHT	45"
2. STAND / CART WIDTH	42.25"
3. STAND / CART LENGTH	37"

